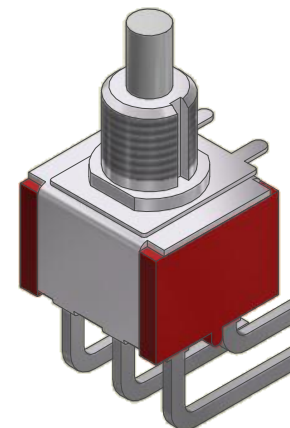
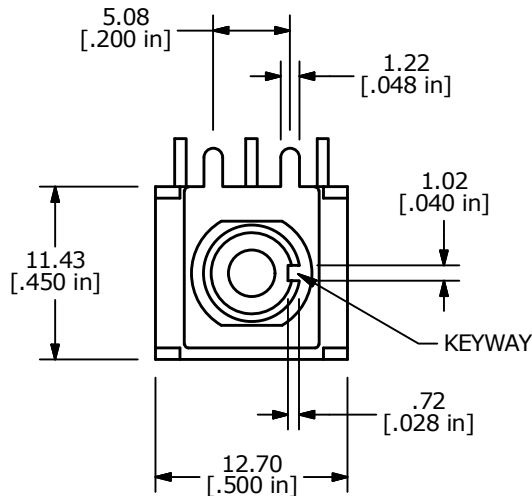
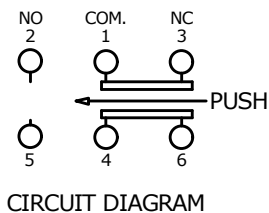


P.C. MOUNTING

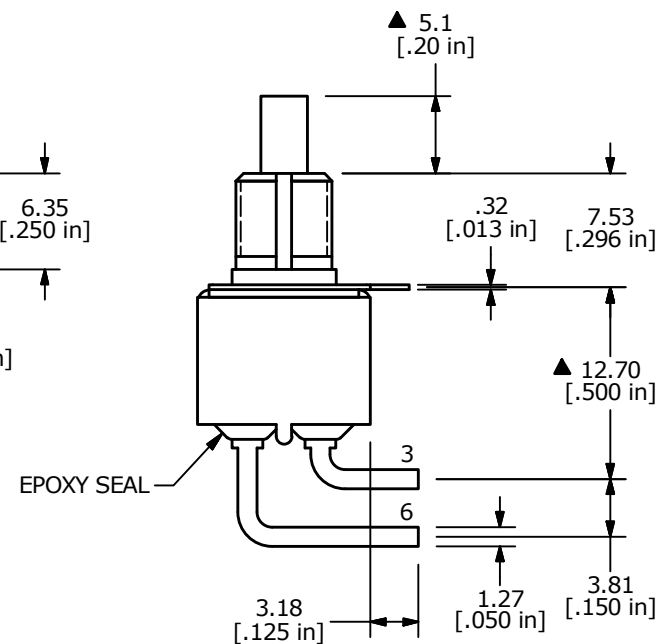
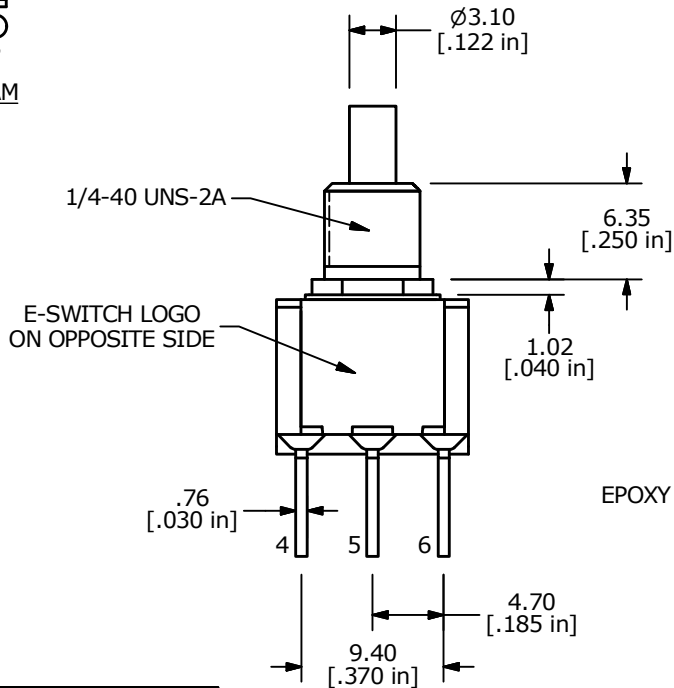


SWITCH FUNCTION	
POS. 1	POS. 2
ON	(ON)
1-3, 4-6	1-2, 4-5

(ON) = MOMENTARY



- NOTE:
1. ALL DIMENSIONS IN MM [INCH]
 2. GENERAL TOLERANCE: X.X = ±0.4
X.XX = ±0.25
 3. TERMINAL NUMBERS FOR REF ONLY
 - ▲ 4. CONTACT MATERIAL: SILVER
 5. RATING: 1A @ 250 VAC
3A @ 120 VAC OR 28 VDC MAX.
 6. ELECTRIC LIFE: 50,000 MAKE-AND-BREAK CYCLES AT FULL LOAD
 7. INSULATION RESISTANCE: 1,000 MEGA-OHM MIN.
 8. ACUATION FORCE: 300 ± 100gf
 - ▲ 9. TRAVEL: 1.0 ± 0.2mm
 10. CONTACT RESISTANCE: 20 mOHM MAX. TYPICAL @ 2-4 VDC
 11. DIELECTRIC STRENGTH: 1,000 V RMS @ SEA LEVEL.
 12. OPERATING TEMP.: -30°C to 85°C
 13. ▲ DENOTES CRITICAL PARAMETER.
 14. 2011/65/EU (ROHS) COMPLIANT.



D	23401	added thread callout	7/3/18	MW
C	20052	DRAWING UPDATE / CLEAN-UP	7/7/11	BGL
B	16429	REVISED AND REDRAWN	9/12/06	BO
A	13977	RELEASED FOR PRODUCTION	5/21/04	AR
REV	PCR NO	DESCRIPTION	DATE	BY

THE INFORMATION CONTAINED IN THIS DOCUMENT IS PROPRIETARY TO E-SWITCH AND IS NOT TO BE COPIED OR TRANSFERRED



TITLE 700DP7B10M6QE

SCALE	DATE	DR	DWG	REV
2:1	5/21/2004	BO	T721004	D